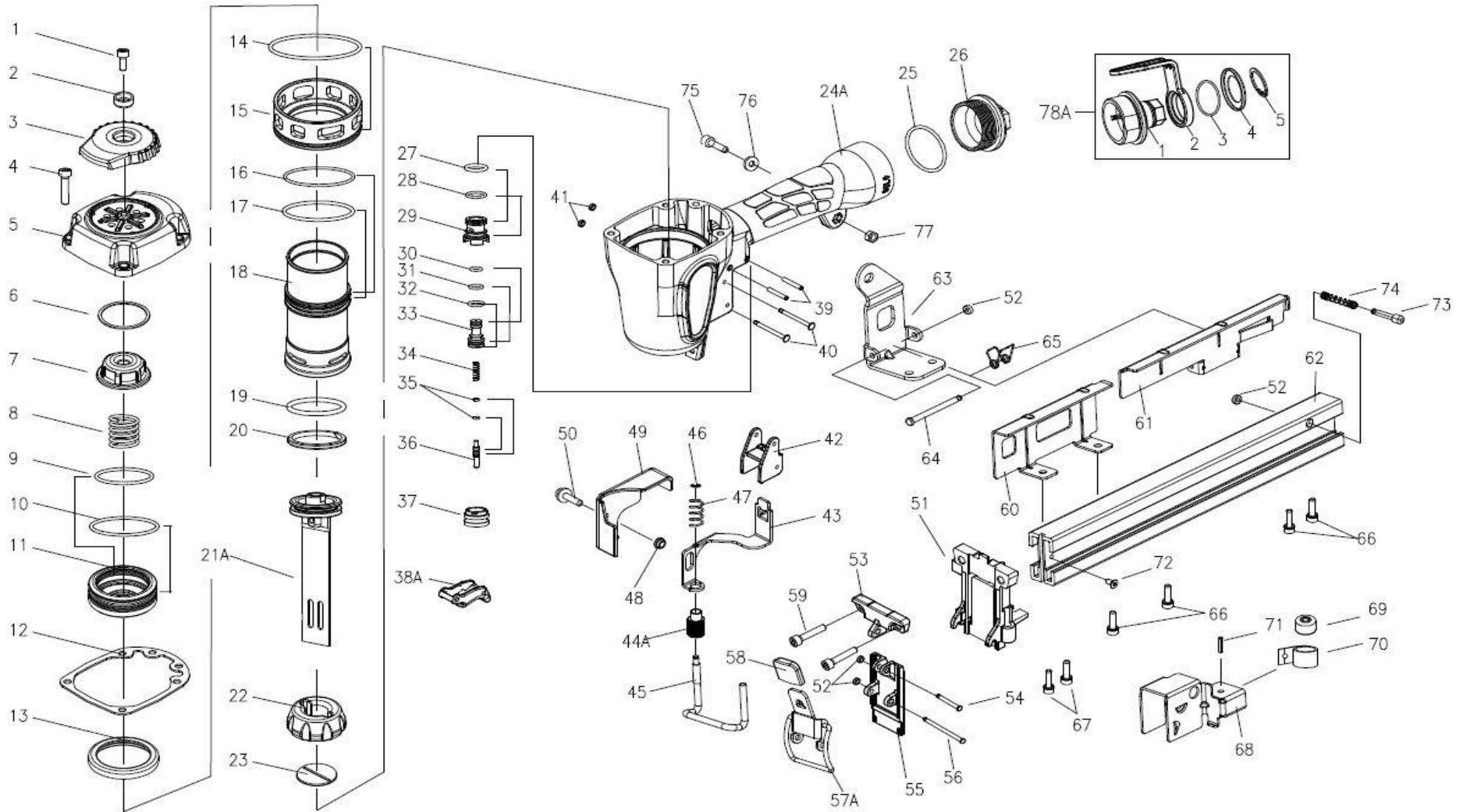


| MAQUINA | DESCRIPCION |
|---------|-------------------------|
| QCGWS38 | GRAPADORA CORGRAP WS-38 |

| DESDE FECHA | 17/02/17 |
|-------------|------------|
| HASTA FECHA | 31/12/2099 |





| MAQUINA | DESCRIPCION | DESDE FECHA | 17/02/2017 |
|---------|-------------------------|-------------|------------|
| QCGWS38 | GRAPADORA CORGRAP WS-38 | HASTA FECHA | 31/12/2099 |

| RECAMBIO | DESCRIPCION | CANTIDAD | POSICION |
|---------------------|---------------------------|----------|----------|
| RT30105140766 (1) | TORNILLO 30105140766 | 1 | 1 |
| RT30700111000 (10) | ANILLO TÓRICO 30700111000 | 1 | 10 |
| RT21970150000 (11) | VÁLVULA 21970150000 | 1 | 11 |
| RT21570130000 (12) | JUNTA 21570130000 | 1 | 12 |
| RT21570250017 (13) | JUNTA 21570250017 | 1 | 13 |
| RT30700153000 (14) | ANILLO TÓRICO 30700153000 | 1 | 14 |
| RT21570370016 (15) | SUPLEMENTO 21570370016 | 1 | 15 |
| RT30700042000 (16) | ANILLO TÓRICO 30700042000 | 1 | 16 |
| RT30700169000 (17) | ANILLO TÓRICO 30700169000 | 1 | 17 |
| RT21600350000 (18) | CILINDRO 21600350000 | 1 | 18 |
| RT30700108000 (19) | ANILLO TÓRICO 30700108000 | 1 | 19 |
| RT20790000001 (2) | ARANDELA 20790000001 | 1 | 2 |
| RT21570510015 (20) | JUNTA 21570510015 | 1 | 20 |
| RT22490462001 (21A) | CUCHILLA 22490462001 | 1 | 21A |
| RT21570470015 (22) | AMORTIGUADOR 21570470015 | 1 | 22 |
| RT21570480001 (23) | GUIA 21570480001 | 1 | 23 |
| RT215706024XX (24A) | CUERPO 215706024XX | 1 | 24A |
| RT30700185000 (25) | ANILLO TÓRICO 30700185000 | 1 | 25 |
| RT207707X02XX (26) | TAPA 207707X02XX | 1 | 26 |
| RT30700079000 (27) | ANILLO TÓRICO 30700079000 | 1 | 27 |
| RT30700081000 (28) | ANILLO TÓRICO 30700081000 | 1 | 28 |
| RT20750900074 (29) | VÁLVULA 20750900074 | 1 | 29 |
| RT20790010115 (3) | DEFLECTOR 20790010115 | 1 | 3 |
| RT30700002000 (30) | ANILLO TÓRICO 30700002000 | 1 | 30 |
| RT30700024000 (31) | ANILLO TÓRICO 30700024000 | 1 | 31 |
| RT30700071000 (32) | ANILLO TÓRICO 30700071000 | 1 | 32 |
| RT20750910074 (33) | VÁLVULA 20750910074 | 1 | 33 |



| MAQUINA | DESCRIPCION | DESDE FECHA | 17/02/2017 |
|---------|-------------------------|-------------|------------|
| QCGWS38 | GRAPADORA CORGRAP WS-38 | HASTA FECHA | 31/12/2099 |

| RECAMBIO | DESCRIPCION | CANTIDAD | POSICION |
|---------------------|---------------------------|----------|----------|
| RT20770960001 (34) | MUELLE 20770960001 | 1 | 34 |
| RT30700080000 (35) | ANILLO TÓRICO 30700080000 | 2 | 35 |
| RT20770920100 (36) | EJE 20770920100 | 1 | 36 |
| RT20770930016 (37) | VÁLVULA 20770930016 | 1 | 37 |
| RT20750952215 (38A) | GATILLO 20750952215 | 1 | 38A |
| RT30803240001 (39) | PASADOR 30803240001 | 2 | 39 |
| RT31605220766 (4) | TORNILLO 31605220766 | 4 | 4 |
| RT20770890001 (40) | PASADOR 20770890001 | 2 | 40 |
| RT30700078000 (41) | JUNTA 30700078000 | 2 | 41 |
| RT21572840115 (42) | GUIA 21572840115 | 1 | 42 |
| RT21601480101 (43) | SEGURO 21601480101 | 1 | 43 |
| RT21601901115 (44A) | REGULADOR 21601901115 | 1 | 44A |
| RT23311680001 (45) | SEGURO 23311680001 | 1 | 45 |
| RT31302500001 (46) | CER-CLIP 31302500001 | 1 | 46 |
| RT21571490001 (47) | MUELLE 21571490001 | 1 | 47 |
| RT21571470001 (48) | ARANDELA 21571470001 | 1 | 48 |
| RT21601550015 (49) | SOPORTE 21601550015 | 1 | 49 |
| RT216000202XX (5) | CABEZAL 216000202XX | 1 | 5 |
| RT31605120766 (50) | TORNILLO 31605120766 | 1 | 50 |
| RT23311350066 (51) | GUIA 23311350066 | 1 | 51 |
| RT30700157000 (52) | JUNTA 30700157000 | 4 | 52 |
| RT21571330066 (53) | JUNTA 21571330066 | 1 | 53 |
| RT21341170101 (54) | PASADOR 21341170101 | 1 | 54 |
| RT23311340066 (55) | GUIA 23311340066 | 1 | 55 |
| RT21573620001 (56) | PASADOR 21573620001 | 1 | 56 |
| RT21571361101 (57A) | CIERRE 21571361101 | 1 | 57A |
| RT21571380015 (58) | JUNTA 21571380015 | 1 | 58 |



| MAQUINA | DESCRIPCION | DESDE FECHA | 17/02/2017 |
|---------|-------------------------|-------------|------------|
| QCGWS38 | GRAPADORA CORGRAP WS-38 | HASTA FECHA | 31/12/2099 |

| RECAMBIO | DESCRIPCION | CANTIDAD | POSICION |
|-----------------------|-----------------------------|----------|----------|
| RT30105300866 (59) | TORNILLO 30105300866 | 2 | 59 |
| RT21570230001 (6) | ARANDELA 21570230001 | 1 | 6 |
| RT23312180001 (60) | CARTER 23312180001 | 1 | 60 |
| RT23312950001 (61) | CARTER 23312950001 | 1 | 61 |
| RT23312050006 (62) | CARGADOR 23312050006 | 1 | 62 |
| RT23312170001 (63) | SOPORTE 23312170001 | 1 | 63 |
| RT23312340001 (64) | PASADOR 23312340001 | 1 | 64 |
| RT23033160001 (65) | MUELLE 23033160001 | 1 | 65 |
| RT30105100166 (66) | TORNILLO 30105100166 | 4 | 66 |
| RT30105120166 (67) | TORNILLO 30105120166 | 2 | 67 |
| RT23312130001 (68) | EMPUJADOR 23312130001 | 1 | 68 |
| RT23312210016 (69) | RULINA 23312210016 | 1 | 69 |
| RT21570140117 (7) | TOPE 21570140117 | 1 | 7 |
| RT23312090000 (70) | FLEJE 23312090000 | 1 | 70 |
| RT30504060166 (72) | TORNILLO 30504060166 | 1 | 72 |
| RT23032250001 (73) | PASADOR 23032250001 | 1 | 73 |
| RT23032330001 (74) | MUELLE 23032330001 | 1 | 74 |
| RT30105140166 (75) | TORNILLO 30105140166 | 1 | 75 |
| RT30900005001 (76) | ARANDELA 30900005001 | 1 | 76 |
| RT30605080001 (77) | TUERCA 30605080001 | 1 | 77 |
| RT20970832115 (78A) | GANCHO COMPLETO 20970832115 | 1 | 78A |
| RT209707X00XX (78A-1) | TAPA 209707X00XX | 1 | 78A-1 |
| RT20970830115 (78A-2) | GANCHO 20970830115 | 1 | 78A-2 |
| RT30700188000 (78A-3) | ANILLO TÓRICO 30700188000 | 1 | 78A-3 |
| RT20970840001 (78A-4) | TAPA 20970840001 | 1 | 78A-4 |
| RT33425000001 (78A-5) | JUNTA 33425000001 | 1 | 78A-5 |
| RT20970160100 (8) | MUELLE 20970160100 | 1 | 8 |



| MAQUINA | DESCRIPCION | DESDE FECHA | 17/02/2017 |
|----------------|-------------------------|--------------------|------------|
| QCGWS38 | GRAPADORA CORGRAP WS-38 | HASTA FECHA | 31/12/2099 |

| RECAMBIO | DESCRIPCION | CANTIDAD | POSICION |
|-------------------|---------------------------|-----------------|-----------------|
| RT30700110000 (9) | ANILLO TÓRICO 30700110000 | 1 | 9 |